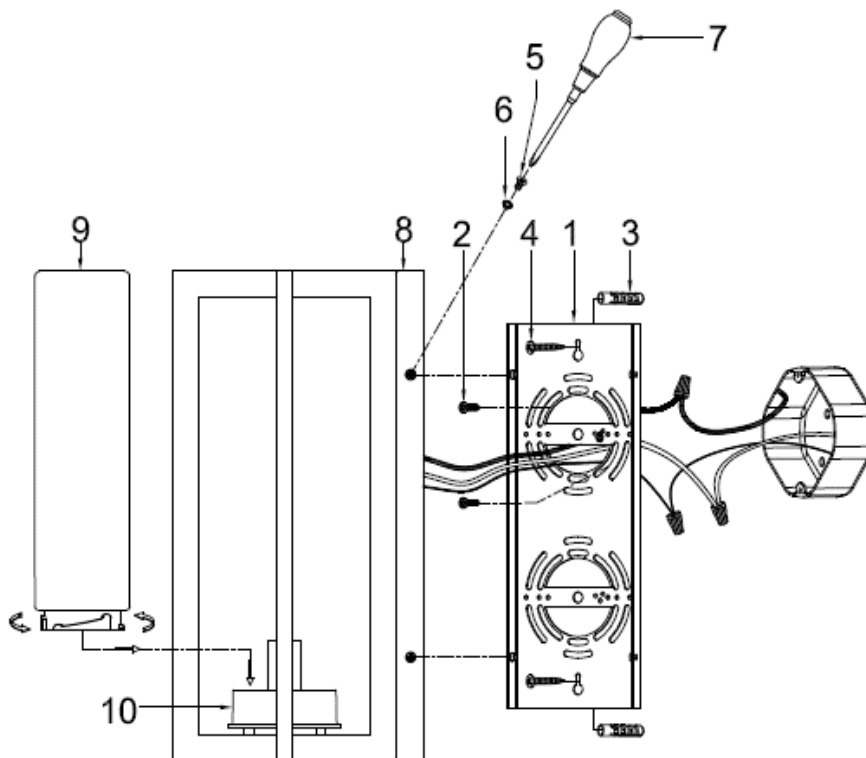




ASSEMBLY AND INSTALLATION INSTRUCTIONS for the **948211** Outdoor Fixture

Important Safety information (Please read before proceeding)

1. Remove the fixture, parts and all mounting hardware bags (orange) from the carton and verify that all parts are present according to the illustration sheet. All parts must be used as indicated. Do not replace any parts, leave any parts out, or use any parts which are worn out or broken. **Failure to follow the instructions could cause a hazardous situation, voids the warranty and violates the U.L. listing of the fixture.**
2. To prevent the electric shock, turn off the main power at the circuit breaker before installing the fixture. **NEVER attempt to install, clean or replace bulbs without shutting off the electricity to the fixture.**
3. **Never use light bulbs with wattage ratings that exceed the fixtures maximum rating.** Always make sure the electric current is turned off before changing the bulbs.
4. If you experience difficulties installing the lighting fixture or it fails to work as expected, please contact a local qualified licensed electrical contractor.
5. Please contact your local Capital Lighting Fixture reseller with any assembly or installation questions. Your local reseller can also provide you with replacement parts for your new fixture.



Components

1. Mounting Bracket w/Green Screw
2. Outlet Box Mounting Screws
3. Plastic Anchor
4. Wood Screw
5. Mounting Screw
6. Rubber Washer
7. Philips Screw Driver (not provided)
8. Fixture
9. Glass Shade
10. Glass Holder

Assembly Instructions for the 948211 outdoor fixture

1. Find appropriate threaded holes on Mounting Bracket (1), then assemble the Mounting Bracket (1) to the mounting surface using hardware suitable for the material of the mounting surface. Mark the position of holes on the mounting surface before using provided Plastic Anchors (3), drill appropriate holes, and assemble as illustrated.
2. Attach Mounting Bracket (1) to the Outlet Box with Outlet Box Mounting Screws (2), and to the mounting surface with Wood Screws (4) tightly.
3. Raise Fixture (8) toward outlet box, then connect fixture ground wire to outlet box ground wire with wire connector supplied; connect white fixture wire to the white power supply wire with wire connector supplied; connect black fixture wire to the black power supply wire with wire connector supplied.
4. Push Fixture Canopy (8) to the mounting surface, make sure mounting holes in Fixture Canopy (8) and Mounting Bracket (1) are in line, and verify all wires are securely inside Fixture Canopy (8) and Mounting Bracket (1), and carefully passing Mounting Screws (5) with Rubber Washer (6) through holes, then secure Fixture Canopy (8) to the mounting surface with Mounting Screws (5) and Philips Screw Driver (not provided) (7).
5. Insert recommended bulb per wattage label indicated onto Socket.
6. Lower Glass Shade (9) over Decor Cross-Frame and Socket onto Glass Holder (10) of Fixture (8) SOFTLY so as to prevent the bulb from being damaged potentially, then twist in a clockwise direction tightly (Do Not Over Tighten).

Note: Guide for Outdoor Mounting Fixture and/or in Wet Locations:

1. Mounting surface should be clean, dry, flat, and 1/4" larger than the canopy on all sides. Any gaps between the mounting surface and canopy exceeding 3/16" should be corrected as required.
2. Use silicone caulking compound (not provided), and caulk completely around where the back of the canopy meets the wall surface to prevent water from seeping into the outlet box.